

THIS DRAWING IS UNPUBLISHED.

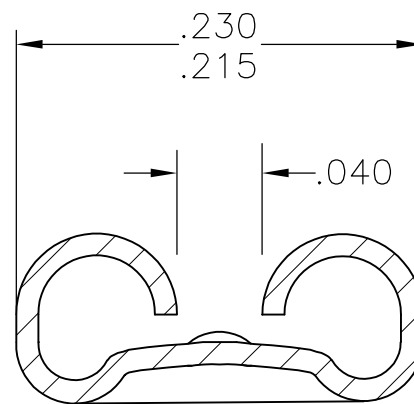
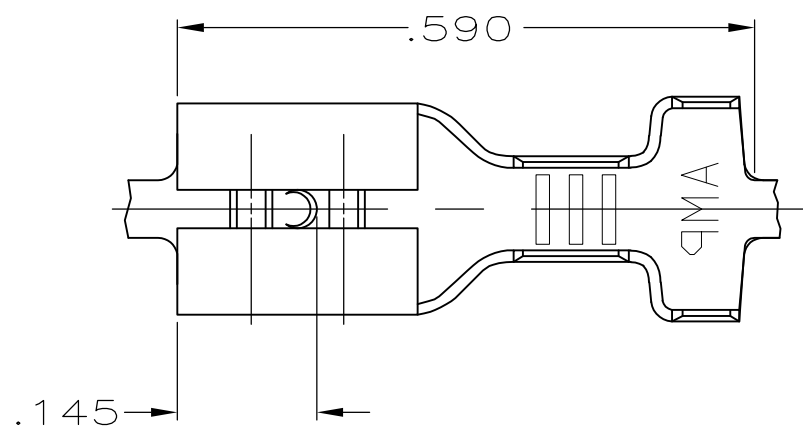
RELEASED FOR PUBLICATION

ALL RIGHTS RESERVED.

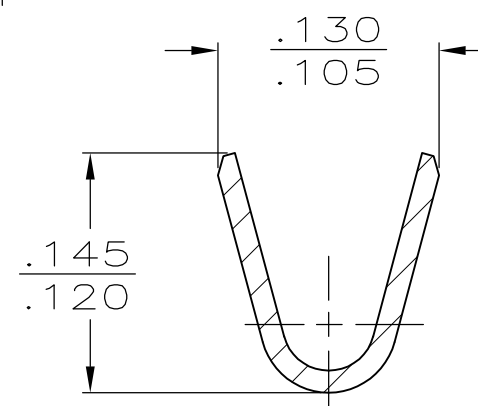
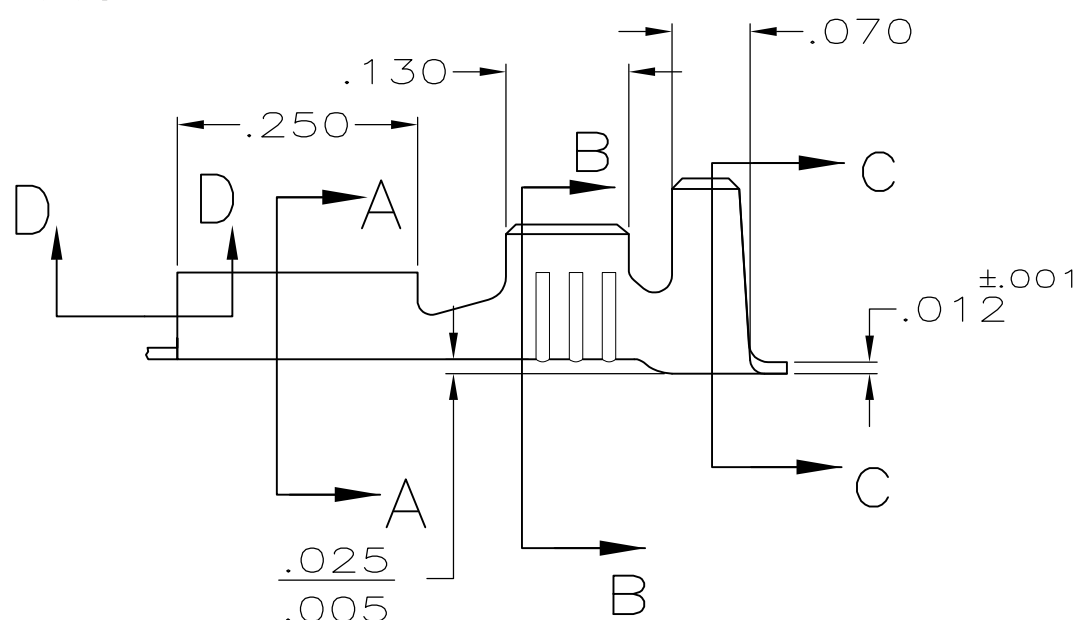
© COPYRIGHT - By -

LOC	DIST	REVISIONS			
P	LTR	DESCRIPTION	DATE	DWN	APVD
	P	REVISED PER ECR-12-013459	28NOV2012	KH	PD

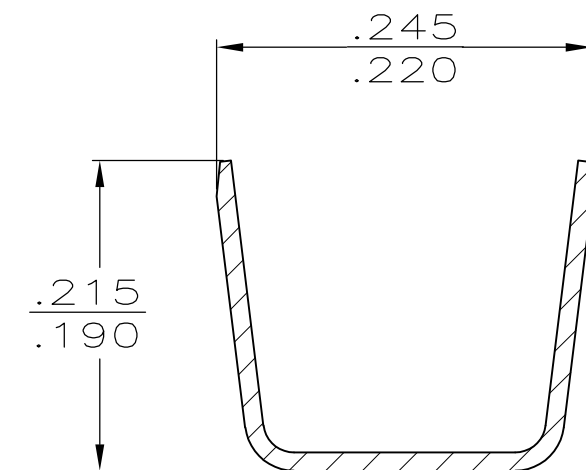
- CONTINUOUS STRIP ON REELS
- WIRE SIZE IS #18-#16 OR TWO #18'S.
- INSULATION RANGE IS .105-.210 OR TWO AT .105 MAX.
- MATING TAB THK IS .032±.001.



SECTION A-A  
SCALE 8:1



SECTION B-B  
SCALE 8:1



SECTION C-C  
SCALE 8:1

SWAGE ON  
61945-1 ONLY

SECTION D-D

.000150 MIN NICKEL	T2 STEEL	61945-2
TIN	BRASS	61945-1
FINISH	MATERIAL	PART NO.

TYPE	WIDTH	STRIP LENGTH ±.015	TYPE	WIDTH	#.002 HEIGHT	WIRE
F	.210	.188	F	.100	.055	16
					.049	18
INSUL BARREL CRIMP	WIRE BARREL CRIMP					

THIS DRAWING IS A CONTROLLED DOCUMENT.	
DIMENSIONS: INCHES	TOLERANCES UNLESS OTHERWISE SPECIFIED:
	0 PLC ± -
	1 PLC ± -
	2 PLC ± -
	3 PLC ± .015
	4 PLC ± -
ANGLES ± -	
MATERIAL SEE TABLE	FINISH SEE TABLE

DWN JR RUTH 8/21/91	TE Connectivity RECEPTACLE, FASTON, .187 SERIES			
CHK MS FEHER 8/21/91				
APVD C MEYERS 8/21/91				
PRODUCT SPEC				
APPLICATION SPEC	SIZE	CAGE CODE	DRAWING NO	RESTRICTED TO
WEIGHT -	A3	00779	C-61945	-
CUSTOMER DRAWING		SCALE 5:1	SHEET 1 OF 1	REV P